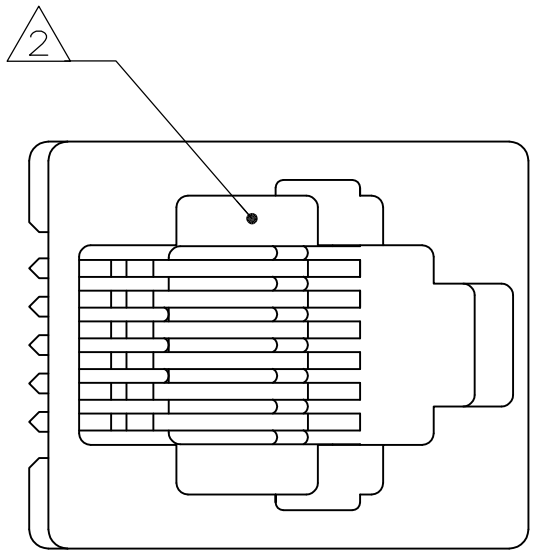


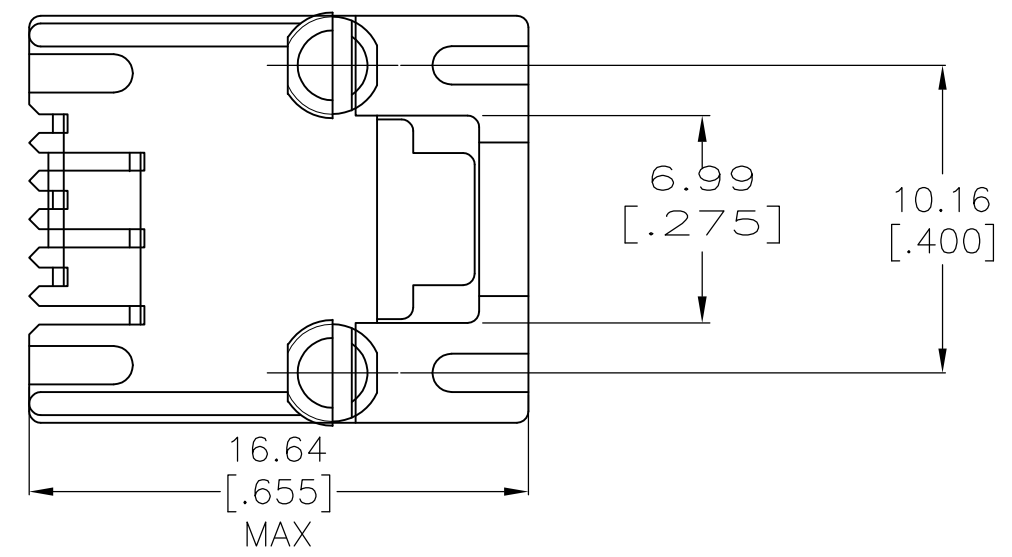
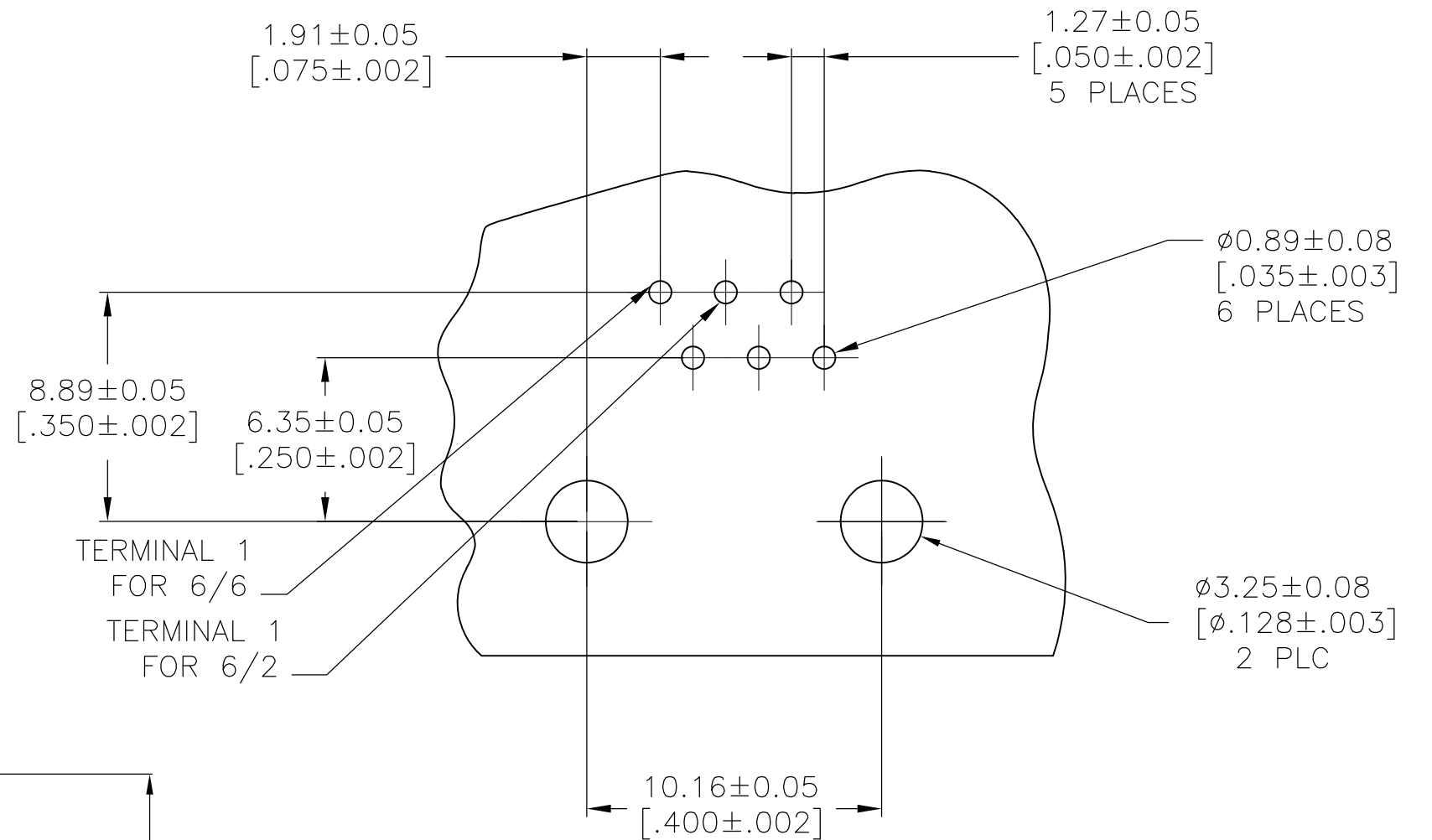
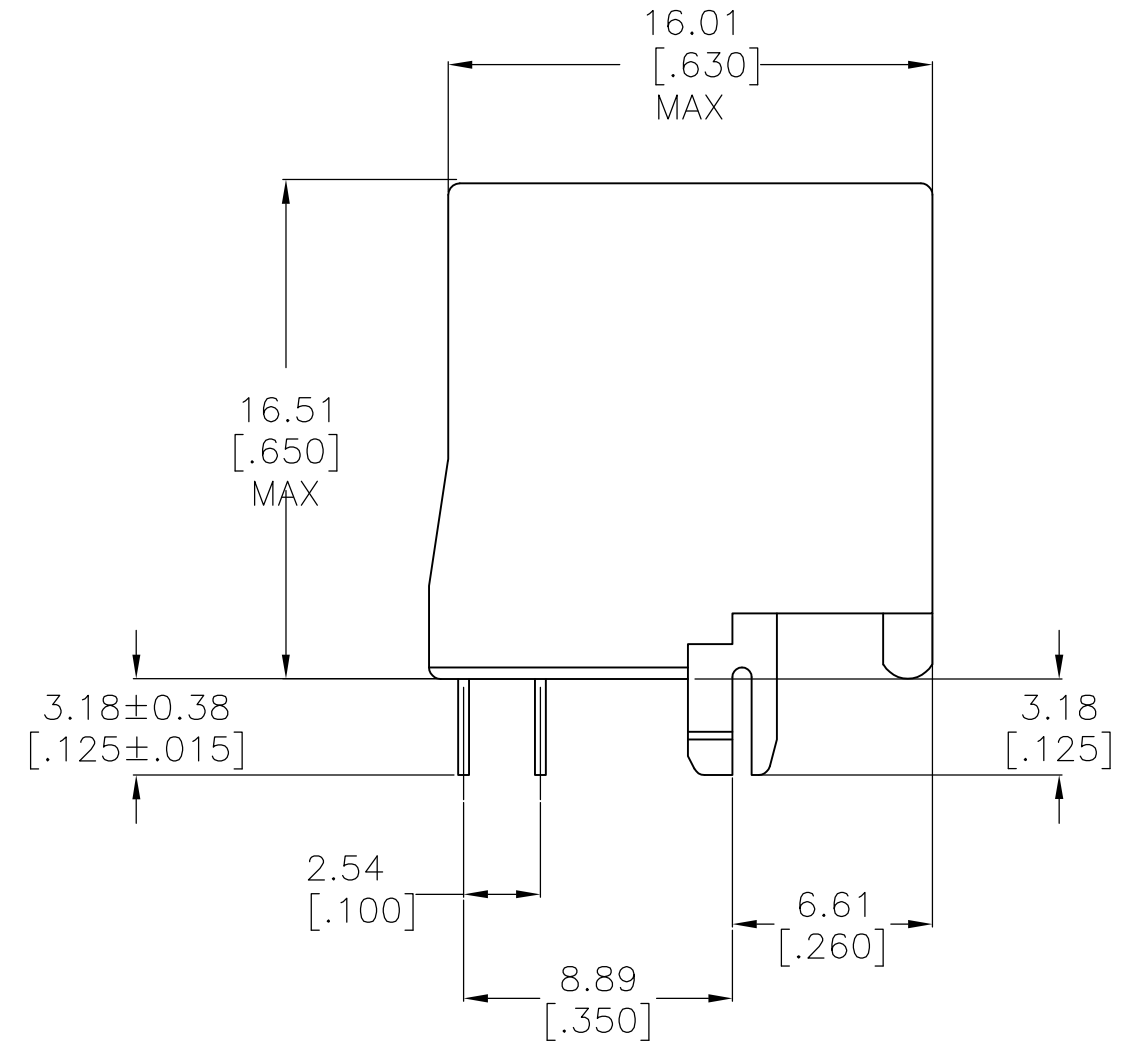
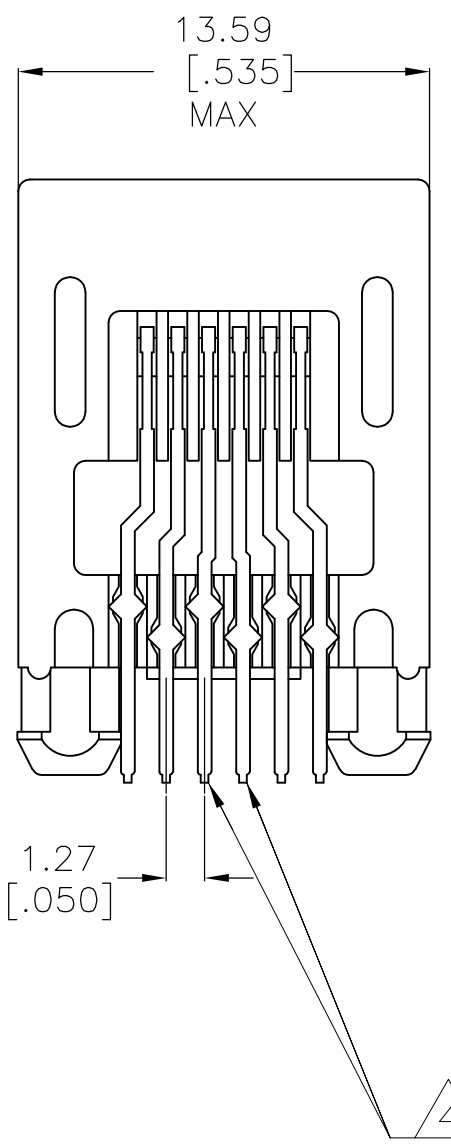
THIS DRAWING IS UNPUBLISHED. RELEASED FOR PUBLICATION
 © COPYRIGHT BY TYCO ELECTRONICS CORPORATION. ALL RIGHTS RESERVED.

LOC	DIST	REVISIONS					
AA	00	P	LTR	DESCRIPTION	DATE	DWN	APVD
		B		ECO-07-017784	15AUG2007	LAM	PR



1. MATERIAL: HOUSING - HTN MOLDING COMPOUND, UL 94V-0, COLOR: BLACK
 TERMINAL - 0.36[.014] THICK PHOS BRONZE PLATED WITH 1.27 μ m [.000050] MINIMUM THICK HARD GOLD IN LOCALIZED GOLD PLATE AREA AND 3.81 μ m [.000150] MINIMUM THICK MATTE TIN IN SOLDER AREA OVER 1.27 μ m [.000050] MINIMUM THICK NICKEL UNDERPLATE.

- \triangle CAVITY CONFORMS TO FCC RULES AND REGULATIONS PART 68, SUBPART F.
- \triangle BULK PACKAGED IN A TRAY.
- \triangle TERMINALS LOADED IN MIDDLE TWO (2) POSITIONS.



2 \triangle 4	\triangle 3	5569984-2
6	\triangle 3	5569984-1
TERMINALS	PACKAGED	PART NUMBER

THIS DRAWING IS A CONTROLLED DOCUMENT.		DWN L. VARELA - DOCK5 08JUN2005	Tyco Electronics Corporation Harrisburg, Pa 17105-3608	
DIMENSIONS: mm [INCHES]	TOLERANCES UNLESS OTHERWISE SPECIFIED:	CHK J. WESTMAN 08JUN2005	NAME S. FLICKINGER	
	0 PLC ± - 1 PLC ± - 2 PLC ± 0.13[.005] 3 PLC ± - 4 PLC ± - ANGLES ± -	APVD S. FLICKINGER 08JUN2005	PRODUCT SPEC 108-1163	
MATERIAL SEE NOTE 1	FINISH SEE NOTE 1	APPLICATION SPEC 114-2048	SIZE A2	CAGE CODE 00779
		WEIGHT -	DRAWING NO C=5569984	
		CUSTOMER DRAWING		RESTRICTED TO -
		SCALE 4:1	SHEET 1 OF 1	REV B

5569984